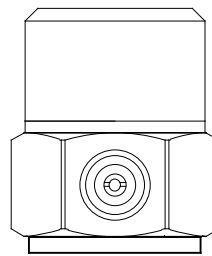
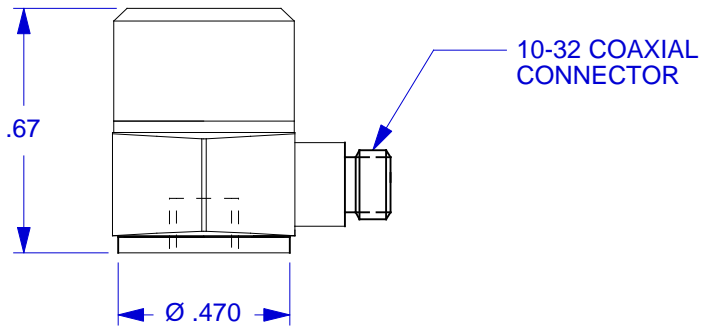
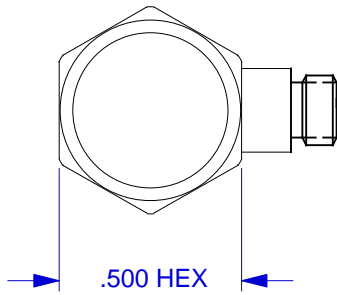
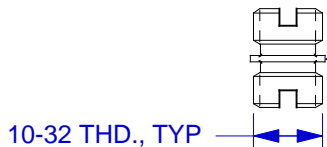


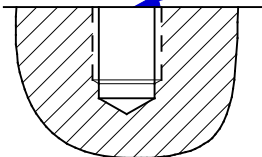
MODEL	SENSITIVITY	F.S. RANGE, ±5V
3055A1	10 mV/G	±500 G's
3055A2	100 mV/G	±50 G's
3055A3	500 mV/G	±10 G's



MODEL 6200 MOUNTING STUD, PROVIDED



**MOUNTING HOLE PREPARATION:**  
 SELECT SURFACE FLAT TO .001 TIR  
 DRILL #21 (.159) DIA. X .250 DEEP  
 BOTTOM TAP 10-32 UNF-2B X .200  
 MIN. DEPTH PERF. THD.



1. CASE AND CONNECTOR MATERIAL: TITANIUM.

		CHATSWORTH, CA.	
SCALE	2X	REV	DATE
DATE	7/24/02	PART NO.	SERIES 3055A
DRAWN	N.C.	CHECKED	R.A.
APPROVED		NEXT ASSEMBLY	USED ON
TITLE		DWG NO.	
OUTLINE/INSTALLATION DRAWING, MODEL SERIES 3055A		3055A1, 3055A2, 3055A3 <b>127-3055A</b>	
SHEET		1 OF 1	

**SPECIFICATIONS**  
**MODEL SERIES 3055A LIVM ACCELEROMETERS**

<b>SPECIFICATION</b>	<b>VALUE</b>			<b>UNITS</b>
<b>PHYSICAL</b>				
WEIGHT	10			Grams
SIZE, HEX x HEIGHT	.50 x 0.67			Inches
MOUNTING PROVISION	10-32 X .150 DEEP TAPPED HOLE			
CONNECTOR, RADIALLY MOUNTED	10-32			Coaxial
MATERIAL, BASE, CAP & CONNECTOR	TITANIUM			
SEISMIC ELEMENT TYPE	CERAMIC, PLANAR SHEAR			
<b>PERFORMANCE</b>				
	<b>MODELS</b>			
	<b>3055A1</b>	<b>3055A2</b>	<b>3055A3</b>	
SENSITIVITY, $\pm 5\%$ [1]	10	100	500	mV/G
RANGE F.S. FOR $\pm 5$ VOLTS OUTPUT	$\pm 500$	$\pm 50$	$\pm 10$	G's
FREQUENCY RANGE, $\pm 5\%$ (all models)		1 to 10,000		Hz
RESONANT FREQUENCY, NOM.	32	32	32	kHz
EQUIVALENT ELECTRICAL NOISE FLOOR	.007	.0007	.00014	G's RMS
LINEARITY [2]	$\pm 2$	$\pm 2$	$\pm 2$	% F.S.
TRANSVERSE SENSITIVITY, MAX.	5	5	5	%
<b>ENVIRONMENTAL</b>				
	<b>3055A1</b>	<b>3055A2</b>	<b>3055A3</b>	
MAXIMUM VIBRATION/SHOCK	600/3000	400/2000	200/1000	$\pm$ G's/G's PEAK
TEMPERATURE RANGE (all models)		-60 to +250		$^{\circ}$ F
SEAL, HERMETIC		Glass-to-metal/welded		
COEFFICIENT OF THERMAL SENSITIVITY		.06		%/ $^{\circ}$ F
<b>ELECTRICAL</b>				
SUPPLY CURRENT/COMPLIANCE VOLTAGE RANGE [3]	2 to 20/+18 to +30			mA/Volts
OUTPUT IMPEDANCE, TYP.	100			Ohms
BIAS VOLTAGE, +10.5 VOLTS NOM.	+9 to +12			VDC
DISCHARGE TIME CONSTANT, NOM.	0.5			Sec
OUTPUT SIGNAL POLARITY FOR ACCELERATION TOWARD TOP				Positive
ELECTRICAL ISOLATION, CASE GROUND TO MOUNTING SURFACE				10 Meg , min.

**Accessories supplied:** (1) Model 6200 mounting stud.

[1] Measured at 100 Hz, 1 G RMS per ISA RP 37.2.

[2] Measured using zero-based best straight line method, % of F.S. or any lesser range.

[3] Do not apply power to this device without current limiting, 20 mA MAX. To do so will destroy the integral IC amplifier.